

KJ-6 PCB Drilling Machine

Product descriptions and features

Features

- Stable, reliable and cost-effective
- The detection technology of contact type tool broken real-time reaction to prevent hole drilling missing caused by tool breakage
- High-speed, high-performance air bearing spindle to improve machining quality
- Integrated configuration of drilling and routing [optional] to meet various machining requirements

For Material

The shell of 3C products, PCB

Applied Range

Hole drilling on the flat or circular surface of the shell for 3C products, PCB hole drilling



KEJIE website



KEJIE wechat

Parameters

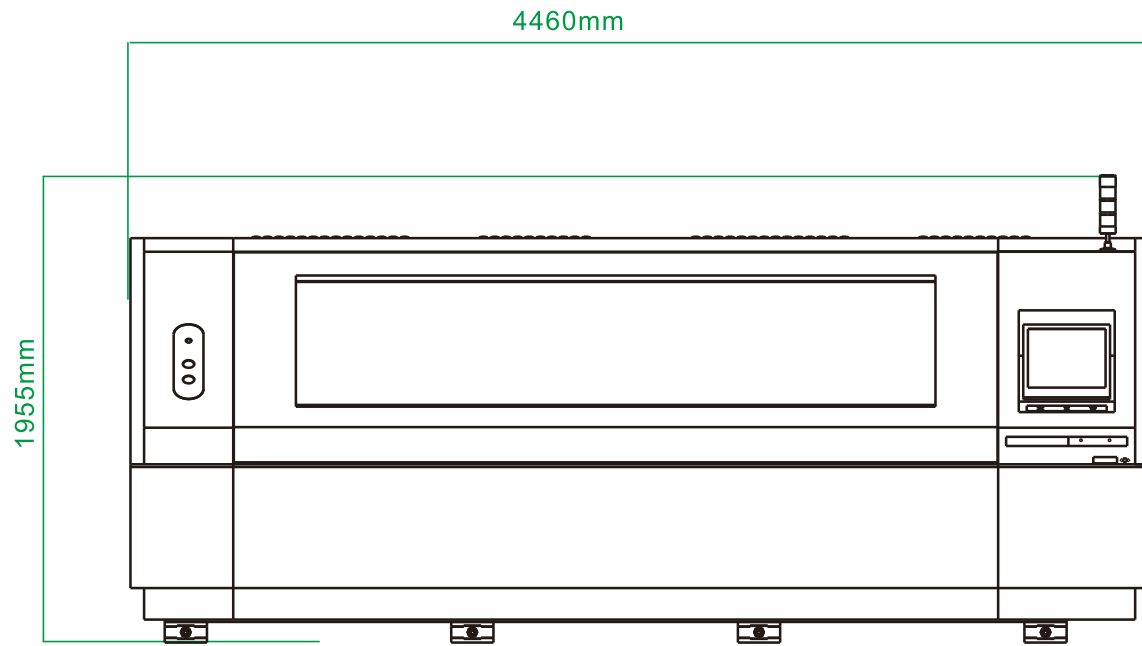
| Item | Parameter |
|--------------------------------|----------------------|
| Working area X/Y/Z | 560/780/40mm |
| Quantity of machining stations | 6 stations |
| Max spindle speed | 160000rpm |
| Rapid traverse rate X/Y/Z | 35/35/30 m/min |
| Cutting feed rate X/Y/Z | 1.2/1.2/3m/min |
| Positioning accuracy | 0.005mm |
| Repeatability | 0.0025mm |
| Capacity of tool magazine | 250 pcs |
| Machine weight | 13500kg |
| Machine dimension | 4460x2030x1880mm |
| Power supply | 3-PH AC380V ±5% 50Hz |

Standard Accessories

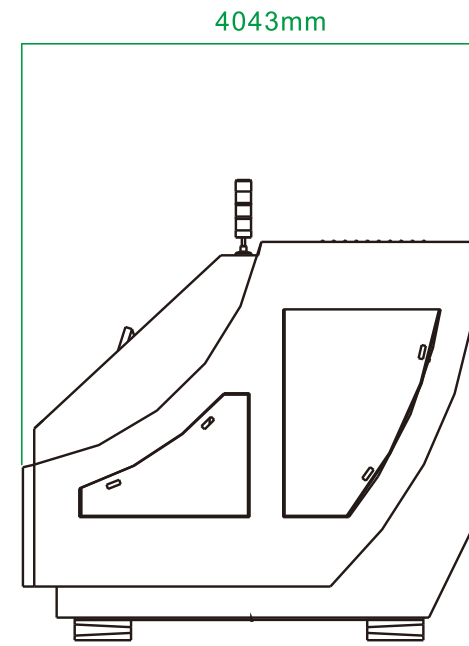
- CNC controller
- Air bearing spindle
- AC servo motor
- Precision ball screw and guide rail
- Linear encoder
- Automatic protective door
- Laser tool setting sensor
- Voltage stabilizer
- Spindle cooling system
- Air drier
- Dust collecting hood
- Tool magazine

Optional Accessories

- Integrated configuration of drilling and routing



Front



Left